

CB ANTI VIBRATION MOUNTS



AMC-MECANOCAUCHO® type CB anti vibration mounts are installed in pairs. Installation is simplified as both mounts are fixed with one through bolt and washers at each end of the installed mount.

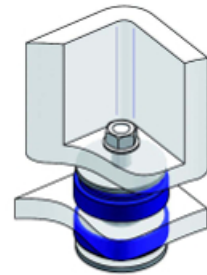
The CB mount is provided with a built in radial wear plate that prevents the elastomeric element coming into contact with the sharp edges of laser cut holes in support frames or structures that can cause friction in traditionally used semi-bonded mounts . This wear plate reduces the need to machine radius or chamfer holes , reducing cost. The specific design permits high dynamic loading whilst limiting movement due to their multi-axial snubbing.

TECHNICAL CHARACTERISTICS

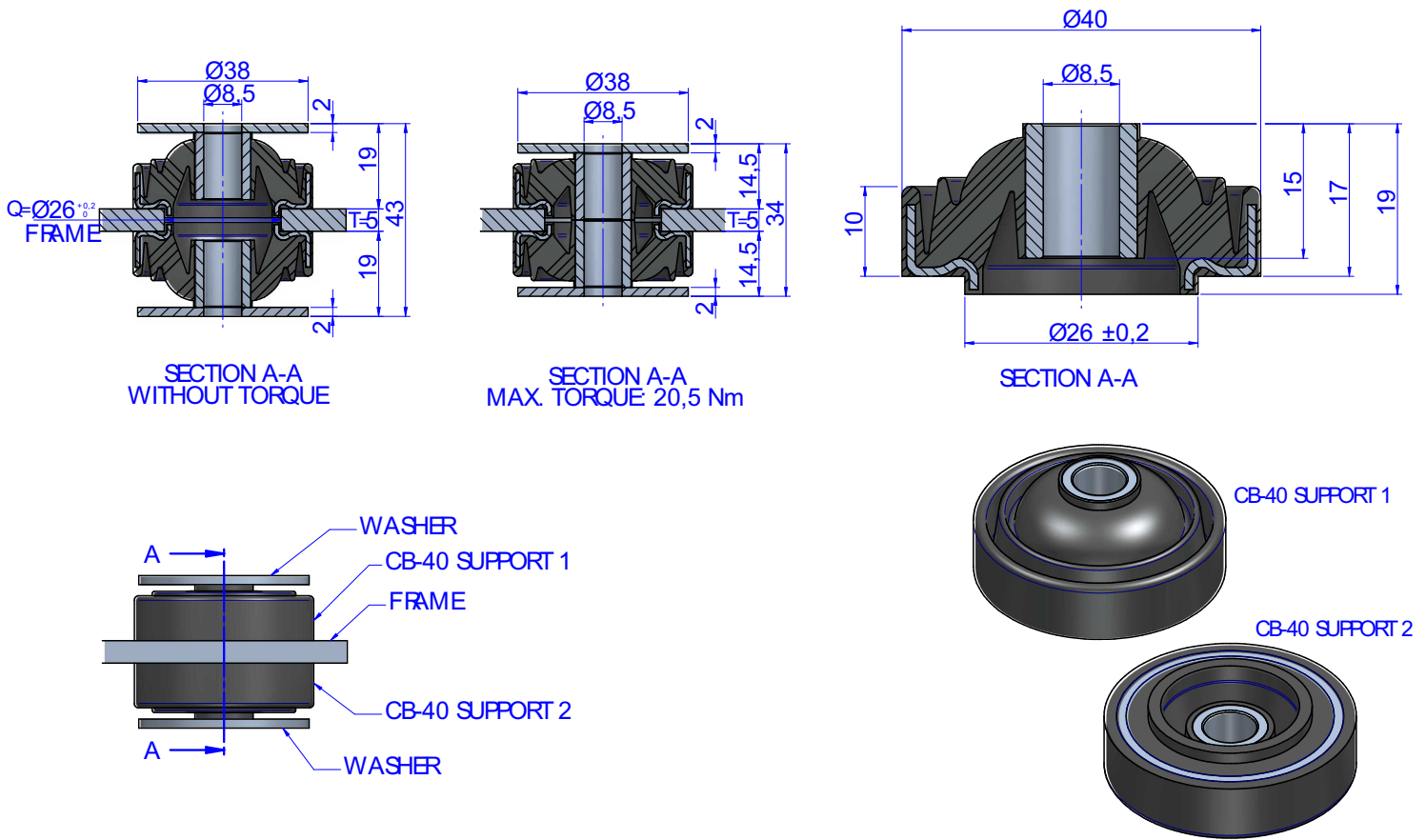
- The AMC-MECANOCAUCHO® Type CB is radially 30% softer than axially. This feature is especially interesting for those machines or equipment where radial axis vibration isolation is important.
- The mount is provided with a built in snubbing system that allows the following maximum displacements:
 - Vertical: +/- 6 mm
 - Horizontal: +/- 3mm
- The mount can be supplied in two different sizes and in different hardness compounds to accommodate applications from 30 to 550 Kg per mount.
- Metal parts are embedded in rubber in order to prevent corrosion.

APPLICATIONS

- Agricultural or construction equipment cabins, engines, radiators, transmission ,battery boxes.
- Marine equipment
- Mobile Generators or compressors.
- Chassis frames for Military, Bus, Truck, Motorhome and Emergency vehicles.



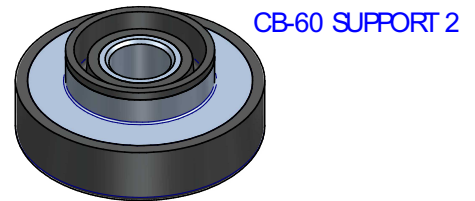
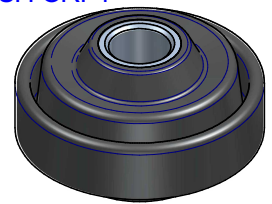
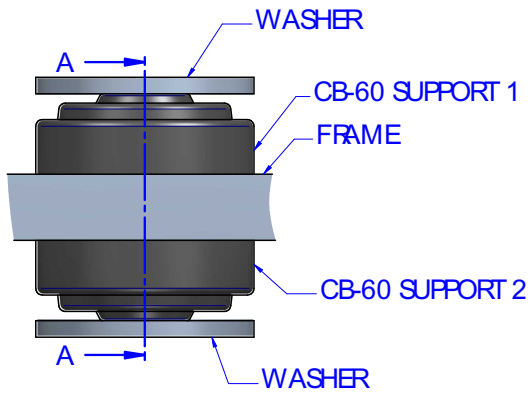
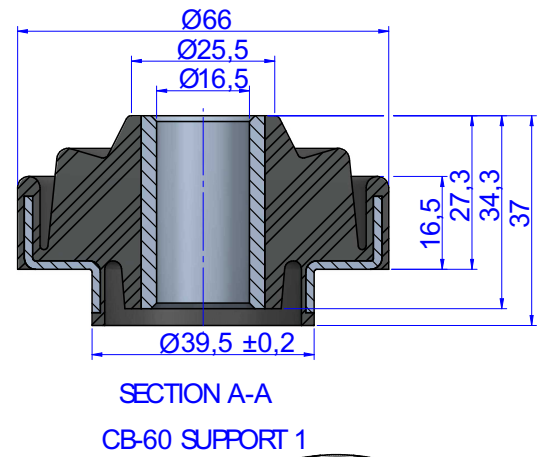
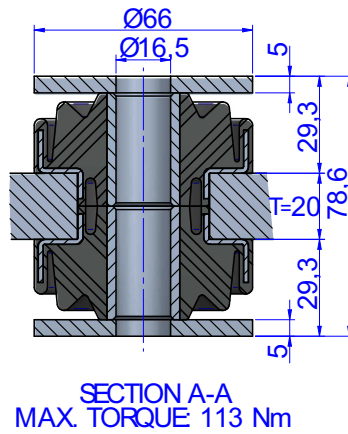
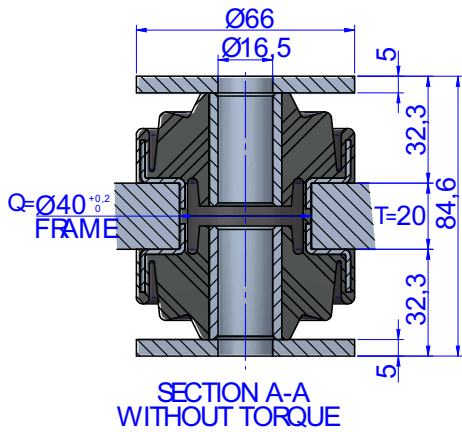
DRAWINGS



DIMENSIONS

Type	Tightening torque MAX (Nm)	Q (mm)	T (Max.)	T (Min.)	Weight (gf)	WASHER	BOLT SIZE (Metric)	BOLT SIZE (Imperial)	Shore	Max. Load (kg)	Code
CB 40	20,5	26	5	5	30	610052	M8	5/16"	45Sh	8	156070
									55Sh	18	156071
									65Sh	25	156072

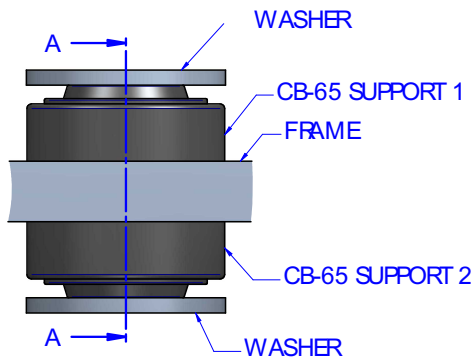
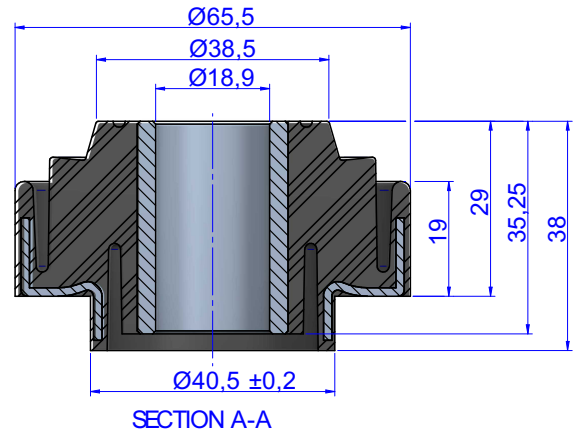
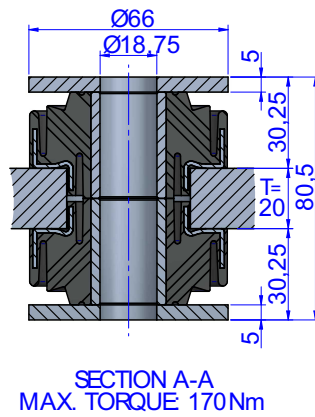
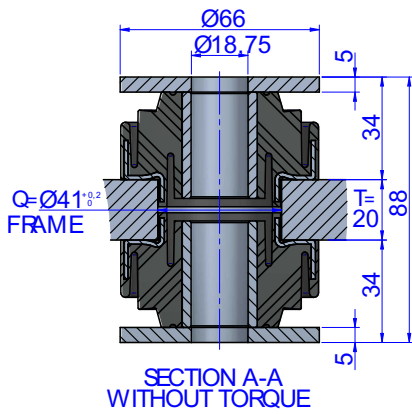
DRAWINGS



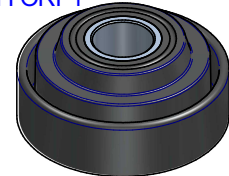
DIMENSIONS

Type	Tightening torque MAX (Nm)	Q (mm)	T (Max.)	T (Min.)	Weight (gf)	WASHER	BOLT SIZE (Metric)	BOLT SIZE (Imperial)	Shore	Max. Load (kg)	Code
CB 60	113	40	20	20	140	606130	M16	5/8"	45 Sh	70	156011
									55 Sh	120	156013
									65 Sh	170	156014

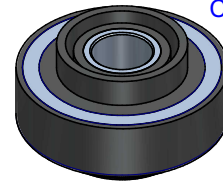
DRAWINGS



CB-65 SUPPORT 1



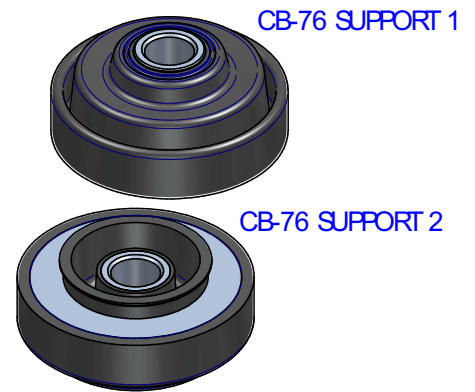
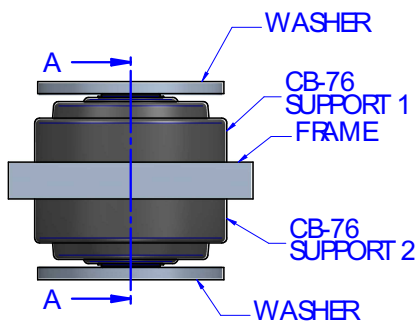
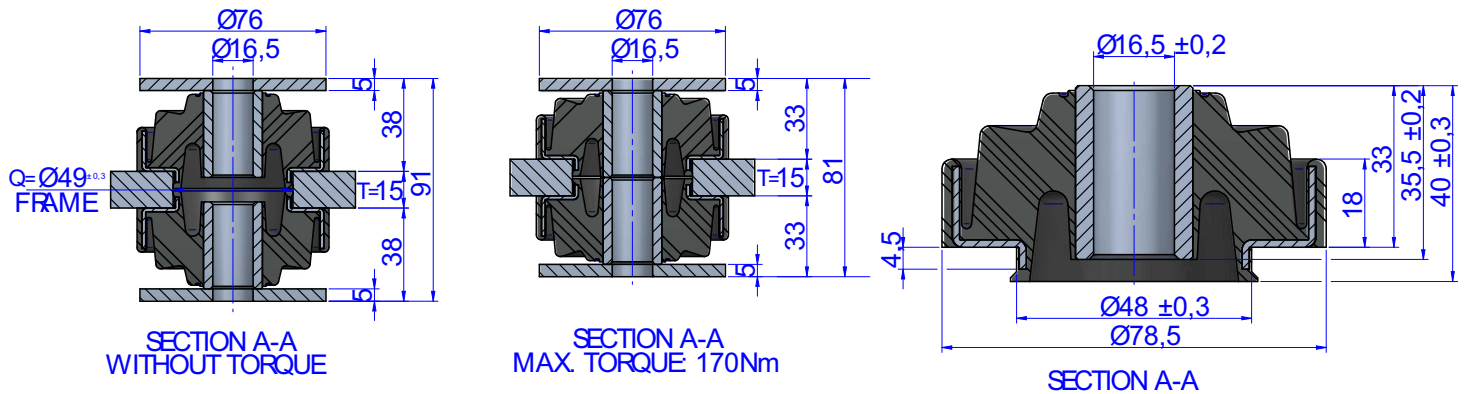
CB-65 SUPPORT 2



DIMENSIONS

Type	Tightening torque MAX (Nm)	Q (mm)	T (Max.)	T (Min.)	Weight (gf)	WASHER	BOLT SIZE (Metric)	BOLT SIZE (Imperial)	Shore	Max. Load (kg)	Code
CB 65	170	41	20	20	175	706004	M18	11/16"	45 Sh	70	156031
									55 Sh	120	156032
									65 Sh	170	156033

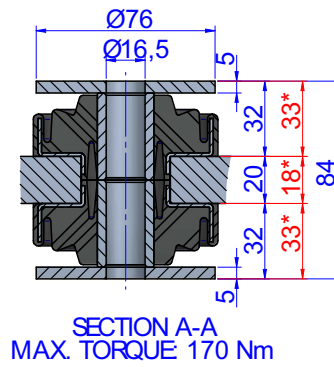
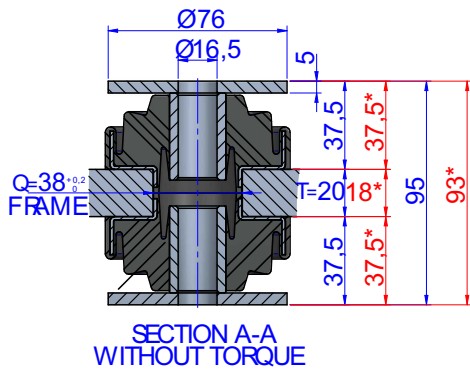
DRAWINGS



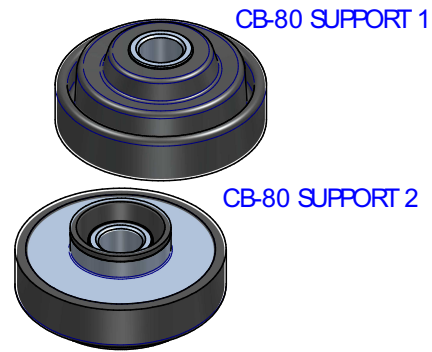
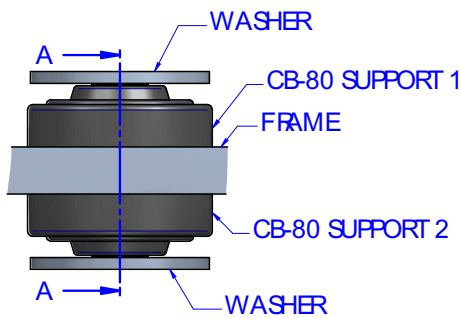
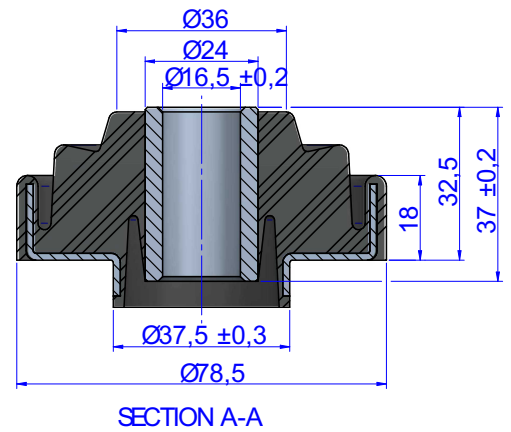
DIMENSIONS

Type	Tightening torque MAX (Nm)	Q (mm)	T (Max.)	T (Min.)	Weight (g)	WASHER	BOLT SIZE (Metric)	BOLT SIZE (Imperial)	Shore	Max. Load (kg)	Code
CB 76	170	49	15	15	223	608074	M16	5/8"	45 Sh	60	156053
									55 Sh	90	156054
									65 Sh	150	156055
									75 Sh	200	156056

DRAWINGS



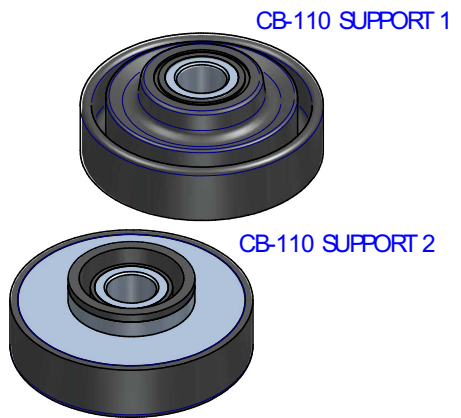
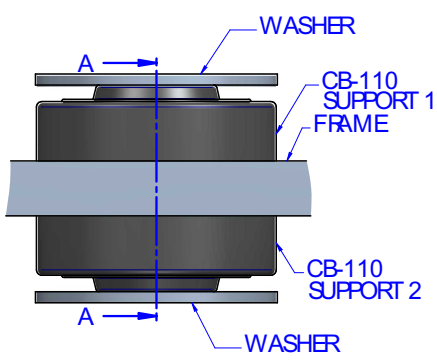
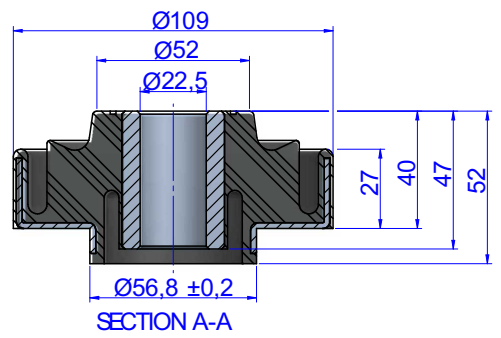
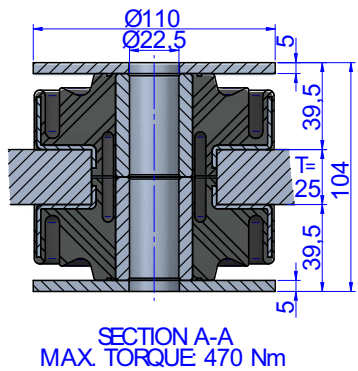
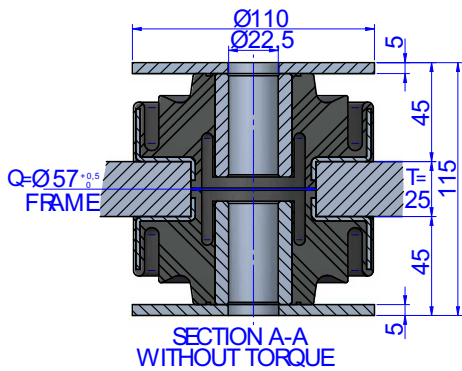
* FRAME THICKNESS OF 18 mm



DIMENSIONS

Type	Tightening torque MAX (Nm)	Q (mm)	T (Max.)	T (Min.)	Weight (gf)	WASHER	BOLT SIZE (Metric)	BOLT SIZE (Imperial)	Shore	Max. Load (kg)	Code
CB 80	170	38	20	18	242	608074	M16	5/8"	45 Sh	90	156001
									55 Sh	140	156002
									65 Sh	200	156003

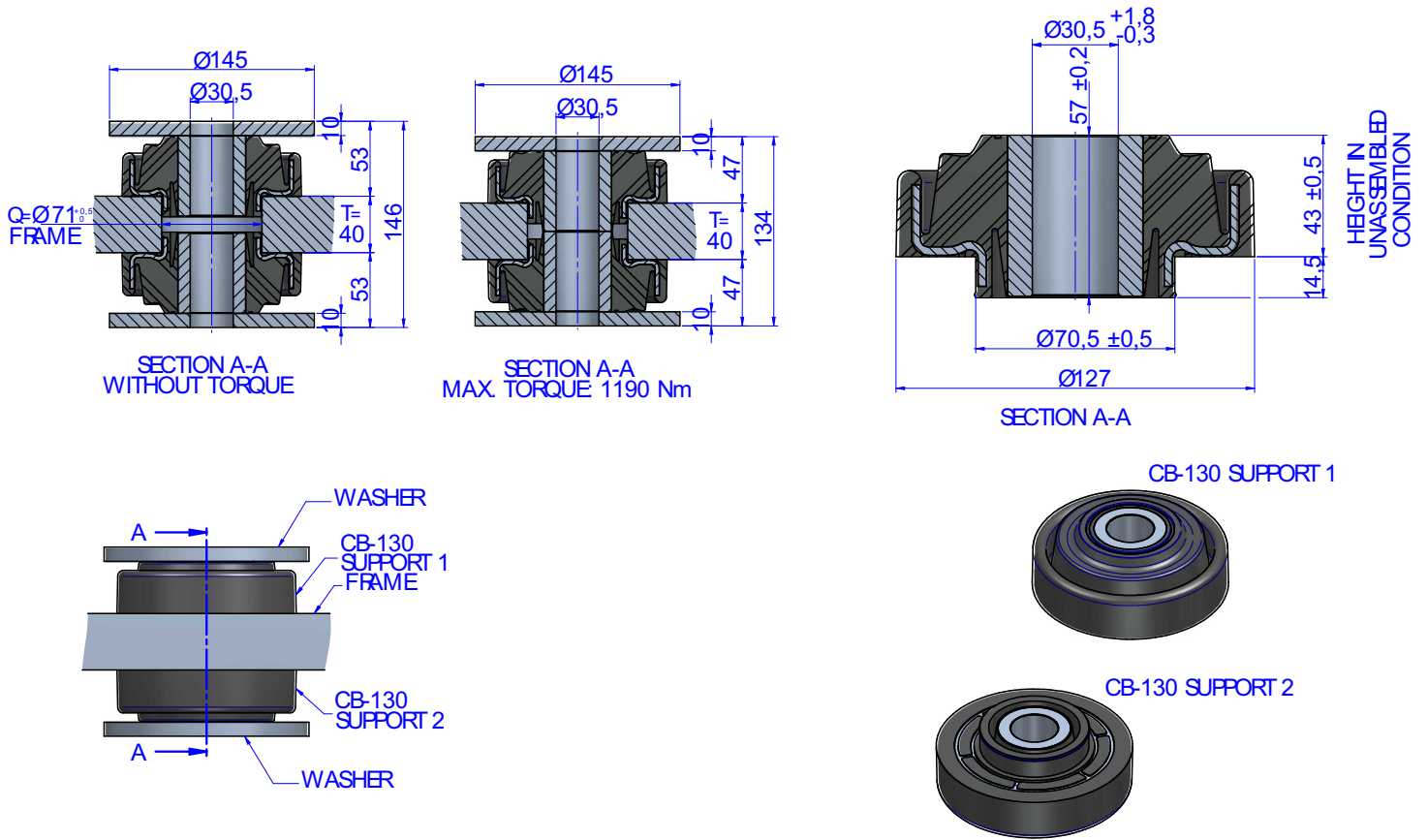
DRAWINGS



DIMENSIONS

Type	Tightening torque MAX (Nm)	Q (mm)	T (Max.)	T (Min.)	Weight (g)	WASHER	BOLT SIZE (Metric)	BOLT SIZE (Imperial)	Shore	Max. Load (kg)	Code
CB 110	470	57	25	25	630	610192	M22 M20	7/8" 3/4"	45 Sh	235	156021
									55 Sh	375	156022
									65 Sh	550	156023

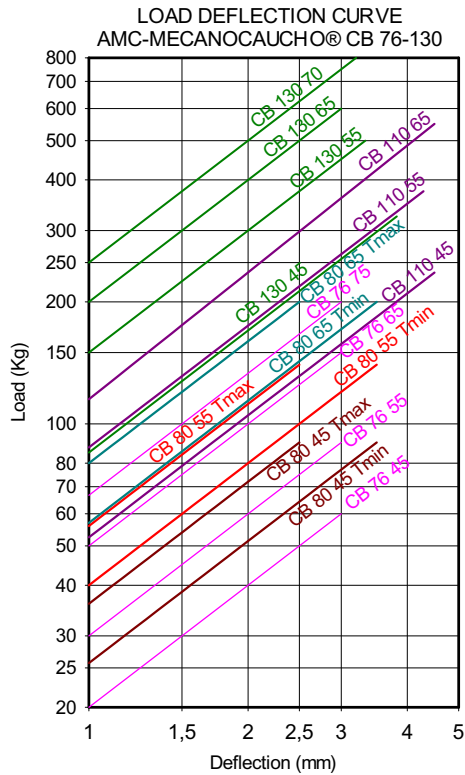
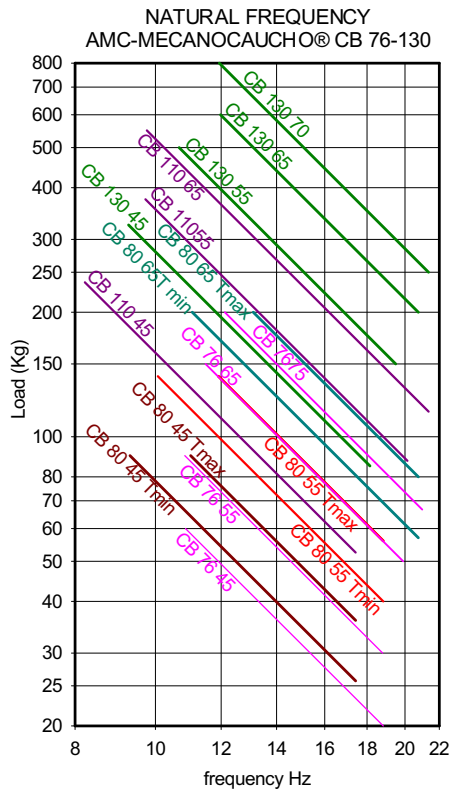
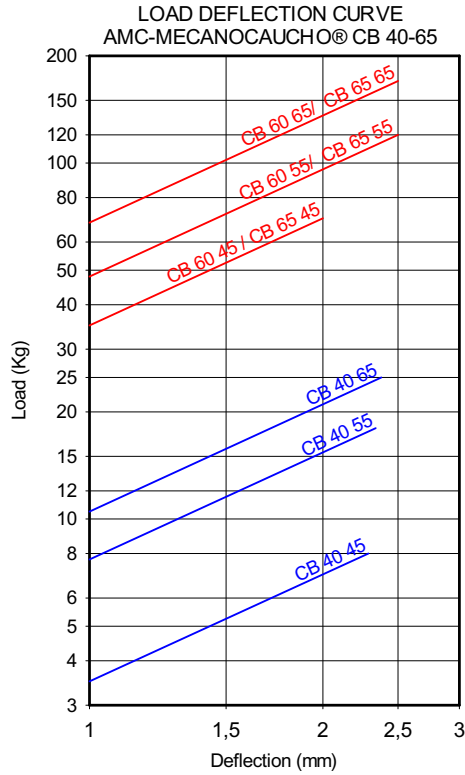
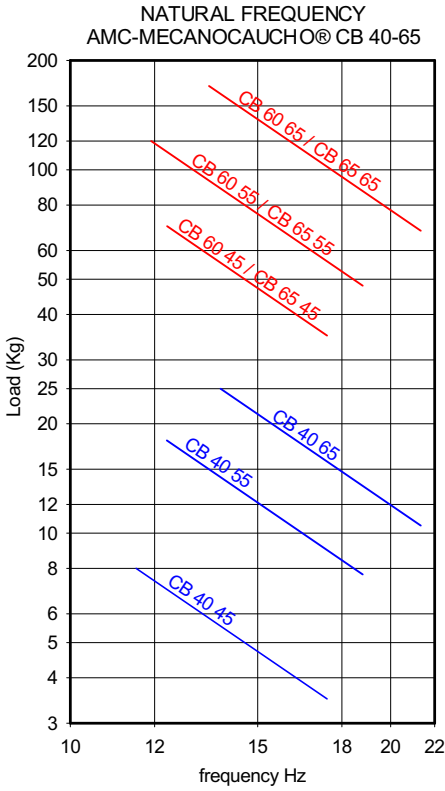
DRAWINGS



DIMENSIONS

Type	Tightening torque MAX (Nm)	Q (mm)	T (Max.)	T (Min.)	Weight (g)	WASHER	BOLT SIZE (Metric)	BOLT SIZE (Imperial)	Shore	Max. Load (kg)	Code
CB 130	1190	71	40	40	1200	608278	M30	1/8"	45 Sh	325	156026
									55 Sh	500	156027
									65 Sh	600	156028
									70 Sh	800	156029

Elastical properties



OPERATION AND ASSEMBLY



The CB mounts must be installed according to the following installation instructions:

They can be installed in frames of different thicknesses according to the values of T, given in the table below. The load vs. deformation curves will vary depending on the thickness of the frame on which the mount is installed. This thickness "T" determines the degree of precompression of the mount.

For the correct installation of the mount, it is recommended to make a hole in the frame with diameter Q, given in the table below.

The use of washers is recommended in the event that the support surface does not completely cover the rubber surface.

Respect the tightening torque of the mount.

In case of any doubt, contact the technical department.